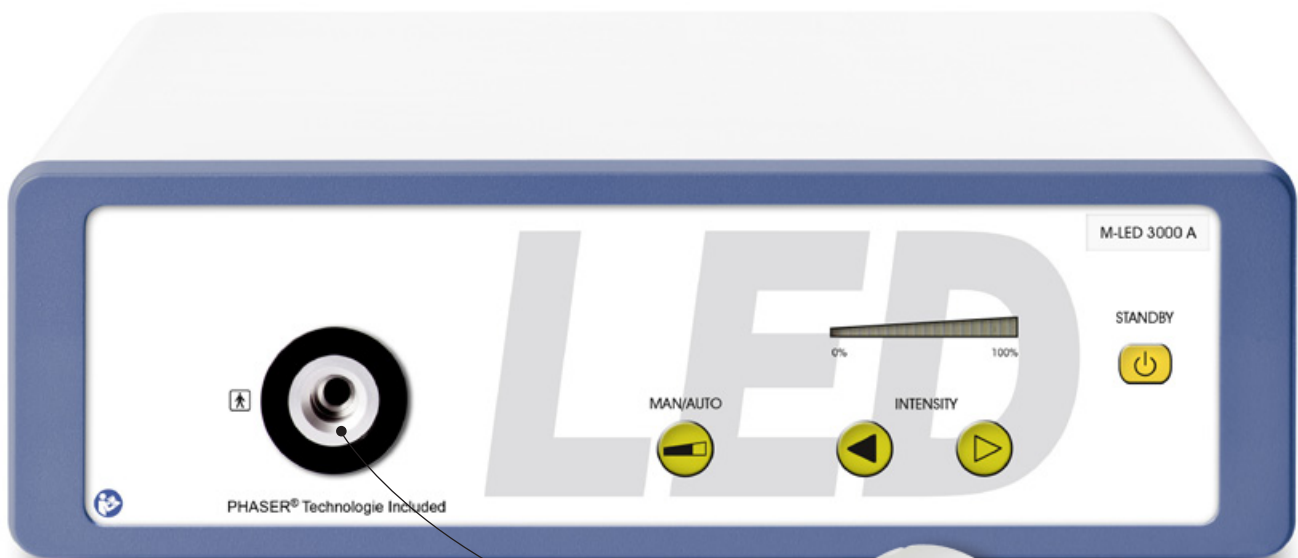


LIGHTSOURCE

M-LED 3000 - HIGH INTENSITY LIGHTSOURCE

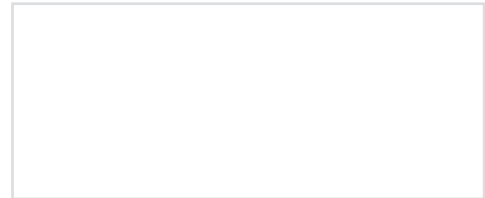
- PHASER® technology included
- Turret multi connector (optional)
- Low noise, low heat conduction
- Pure daylight quality



Multi connector option:
Wolf, Storz, Olympus, ACMI

LIGHTSOURCE

M-LED 3000 - HIGH INTENSITY LIGHTSOURCE



Series

Description

M-LED 3000	Storz adapter, automatic light intensity control
M-LED 3000	Wolf adapter, automatic light intensity control
M-LED 3000	Olympus adapter, automatic light intensity control
M-LED 3000 T	Turret adapter, automatic light intensity control

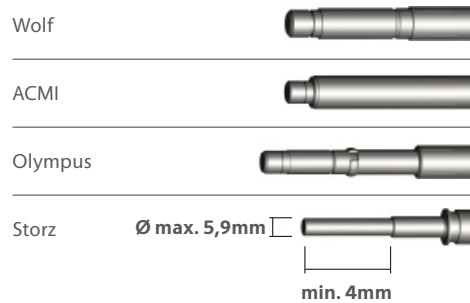
Technical Data

Light guide connection:

• Storz, (standard connection):



• Turret, multi connector (optional):



Exclusively pictured version!

Lamp

• Daylight quality, 6000 K (+/-500 K)
• Lifetime: ≤30.000 hr

Voltage range (current consumption):

• 100-240 V (130 VA)

Frequency:

• 50-60 Hz

Device protection:

• 2x T6,3 A

Video In:

• 1x Video

Protection class (acc.to IEC 60601-1):

• I

Safety class:

• BF

IP code:

• 20

Standard:

• IEC 60601-1-2

Device classification (acc. to MDD 93/42/EEC):

• I

Dimensions (WxHxD):

• 355mm x 120mm x 340mm

Weight:

• approx. 10 kg

Delivery contains:

• Light source, mains cable, user manual, BNC cable